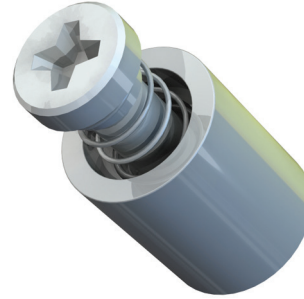
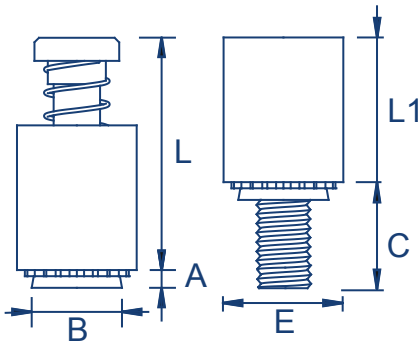


Recess Panel Fasteners

TR-PFC2P

Stainless Steel : TR-PFC2P



Metric Dimensions

Thread	M3		M4			M5			M6		
Screw length code	40	60	50	72	94	50	72	94	60	82	04
A max	1.53		1.53			1.53			1.53		
B max	6.71		7.9			8.72			10.47		
C +/-0.4	6.4	9.5	7.9	11.1	14.3	7.9	11.1	14.3	9.5	12.7	15.9
Driver size	No. 1		No.2			No.2			No.3		
E +/-0.25	7.92		9.53			10.31			11.89		
L nom	13.72		17.91			17.91			22.99		
L1 max	9.4		12.19			12.45			15.75		
Min sheet thickness	1.53		1.53			1.53			1.53		
Hole size in sheet +0.08	6.73		7.92			8.74			10.49		
Screw protrusion before installation +/-0.64	0	3.2	0	3.2	6.4	0	3.2	6.4	0	3.2	6.4
Min distance to hole C/L from edge	6.35		7.87			8.63			9.65		

Metric Performance Data: TR-PFC2P

Thread		M3	M4	M5	M6
Installation (kN)	Aluminium	10.8	13	13.4	15.6
	Steel	13.4	17	17.9	22.3
Pushout (N)	Aluminium	1070	1335	1780	1780
	Steel	1335	1780	2230	2670

These tests have been conducted in laboratory conditions, these figures should therefore be used for guidance only.

All data is correct to the best of our knowledge, however TR cannot be held responsible for any errors or omissions.