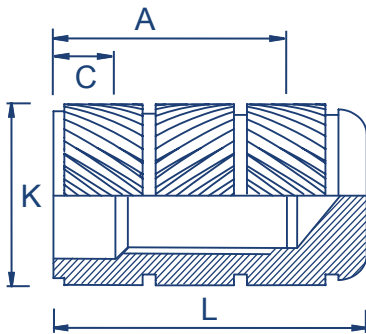


## Brass/Self Colour



## Metric Dimensions

Thread size	Metric	M2*	M2.5*	M3	M3.5	M4	M5	M6	M8*	M10*
L mm		5.5	6.4	7.3	9.2	10.2	11.2	14.4	16.5	17.9
K mm		3.4	4.3	4.7	5.5	6.3	7.3	9.8	11.4	13.8
A min. mm		3.6	4.0	4.6	6.0	6.7	7.4	8.1	11.1	11.9
C mm		1.0	1.2	1.3	1.6	1.8	2.0	2.0	2.3	2.4

**\*Non preferred - Please enquire for availability**

Non standard lengths and stud versions available on request  
 Unified price and delivery available upon request

## Flow-Sert™ Information for designers

The Flow-Sert™ is a blind insert, designed to be installed during the moulding process.

**Advantages:**

- The blind end prevents plastic ingress during moulding
- Very high pull out and torque resistance

**Installation Data**

The Flow-Sert™ is designed to be installed during moulding. It is critical that the mould pin used is designed to locate the Flow-Sert™ and prevent plastic ingress.

Please contact your nearest TR location for mould pin design assistance.