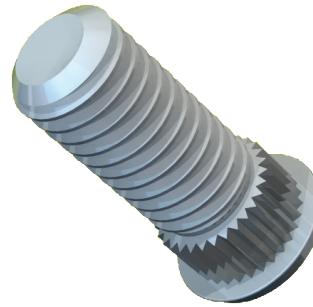
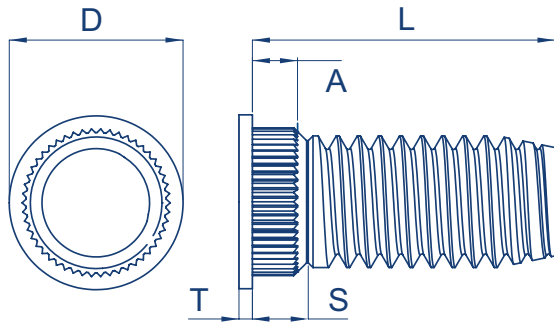


Broaching Studs

TR-KFH

Electro-Tin Plated Phosphor Bronze : TR-KFH



Metric Dimensions

Thread	M2.5	M3	M4	M5
D ± 0.25	4.10	4.58	5.74	6.6
S max	2.30	2.3	2.3	2.3
A max	1.65	1.65	1.65	1.65
T ± 0.13	0.51	0.51	0.51	0.51
Min req sheet thickness	1.53	1.53	1.53	1.53
Hole +0.08 -0.0	2.60	3	4.2	5
Min distance to edge of sheet	3.30	3.8	5.1	5.3

Preferred Range

Thread	M2.5	M3	M3	M4
Length ± 0.25	6		•	•
	8		•	•
	10		•	•
	12		•	•
	15	•	•	•

These tests have been conducted in laboratory conditions, these figures should therefore be used for guidance only.

All data is correct to the best of our knowledge, however TR cannot be held responsible for any errors or omissions.