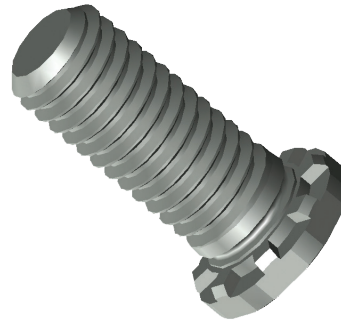
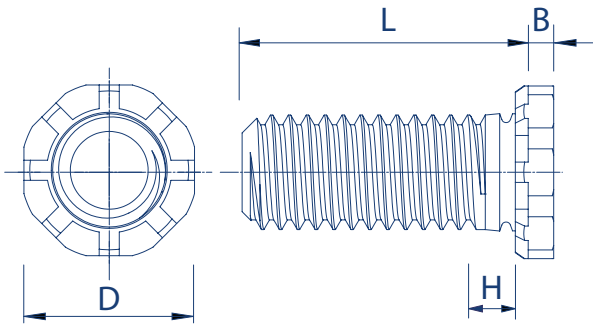


Hi Strength Studs for Thin Sheets

TR-HFE



Zinc Plated Steel : TR-HFE



Metric Dimensions

Thread	M5	M6	M8
D ± 0.25	9.60	11.35	15.30
H max	2.60	2.80	3.30
B max	1.35	1.52	2.13
Min rec sheet thickness	1.00	1.00	1.50
Hole $+0.13 -0.0$	5	6	8
Min distance to edge of sheet	10.00	11.50	14.50

Preferred Range

Thread	M5	M6	M8
Length ± 0.4	8	•	
	15	•	•
	18		•
	20		•
	25		•
	30		•
	35		•
	40		•
	50		•

Heavy Duty Studs for Thin Sheets

TR-HFE



Metric Performance Data: TR-HFE

Thread	M5	M6	M8
Max nut tightening torque (Nm)	4.40	10.00	21.70
Test sheet thickness (CRS)	1.00	1.00	1.50
Installation (kN)	51.10	60.00	71.10
Pushout (N)	1350	1400	2400
Torque-out (Nm)	8.10	14.40	33.90
Tensile strength (kN)	12.80	18.10	32.90
Pull thru (kN)	10.60	15.50	27.50
Bushing hole size for pull thru (kN)	7.40	8.20	10.30

These tests have been conducted in laboratory conditions, these figures should therefore be used for guidance only.

All data is correct to the best of our knowledge, however TR cannot be held responsible for any errors or omissions.