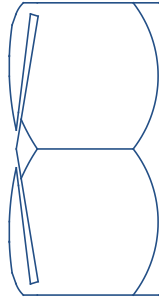
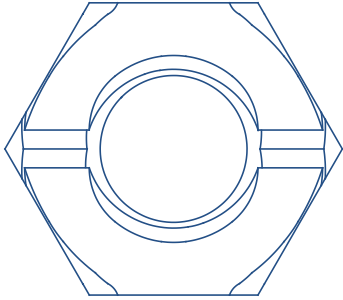


Zinc CR3 Plated Steel | A2 & A4 Stainless Steel | Brass



Dimensions

| Thread Size | M3 x 0.50 | M4 x 0.70 | M5 x 0.80 | M6 x 1.00 | M8 x 1.25 | M10 x 1.50 | M12 x 1.75 | M14 x 2.00 | M16 x 2.00 | M18 x 2.50 | M20 x 2.50 | M22 x 2.50 | M24 x 3.00 | M30 x 3.50 |
|-------------|-----------|-----------|-----------|-----------|-----------|------------|------------|------------|------------|------------|------------|------------|------------|------------|
| A/F | 5.5 | 7 | 8 | 10 | 13 | 17 | 19 | 22 | 24 | 27 | 30 | 32 | 36 | 46 |
| Height | 3.2 | 3.2 | 4.05 | 6 | 6.35 | 7.85 | 9.9 | 10.9 | 12.95 | 15 | 16 | 17.8 | 18.8 | 23.9 |

Performance Data: Coarse Threads Grade 5

| Thread | M3 x 0.50 | M4 x 0.70 | M5 x 0.80 | M6 x 1.00 | M8 x 1.25 | M10 x 1.50 | M12 x 1.75 | M14 x 2.00 | M16 x 2.00 | M18 x 2.50 | M20 x 2.50 | M22 x 2.50 | M24 x 3.00 | M30 x 3.50 | |
|------------------------|---------------------|-----------|-----------|-----------|-----------|------------|------------|------------|------------|------------|------------|------------|------------|------------|-------|
| Proof Load (N) | 2,600 | 4,550 | 8,250 | 11,700 | 21,600 | 34,200 | 51,400 | 70,200 | 95,800 | 121,000 | 154,400 | 190,900 | 222,400 | 353,400 | |
| Prevailing Torque (Nm) | First Assy (max) | 0.43 | 0.9 | 1.6 | 3.0 | 6.0 | 10.5 | 15.5 | 24.0 | 32.0 | 42.0 | 54.0 | 68.0 | 80.0 | 108.0 |
| | First Removal (min) | 0.12 | 0.18 | 0.29 | 0.45 | 0.85 | 1.5 | 2.3 | 3.3 | 4.5 | 6 | 7.5 | 9.5 | 11.5 | 16 |
| | Fifth Removal (min) | 0.08 | 0.12 | 0.2 | 0.3 | 0.6 | 1 | 1.6 | 2.3 | 3 | 4.2 | 5.3 | 6.5 | 8 | 12 |
| Tightening Torque (Nm) | Min | 0.7 | 1.6 | 3.2 | 5.4 | 13.3 | 26.4 | 46 | 73 | 115 | 158 | 224 | 303 | 388 | 456 |
| | Max | 1.1 | 2.4 | 4.8 | 8.1 | 20 | 39.6 | 69 | 110 | 173 | 238 | 336 | 454 | 582 | 684 |

Performance Data: Stainless Steel

| Thread | M4 x 0.70 | M5 x 0.80 | M6 x 1.00 | M8 x 1.25 | M10 x 1.50 | M12 x 1.75 | M14 x 2.00 | M16 x 2.00 | |
|------------------------|---------------------|-----------|-----------|-----------|------------|------------|------------|------------|------|
| Prevailing Torque (Nm) | First Assy | 0.25 | 0.29 | TBA | 1.24 | 2.36 | 4.69 | 5.27 | 9.95 |
| | First Removal (min) | 0.2 | 0.2 | TBA | 1.23 | 1.91 | 3.73 | 4.18 | 7.05 |
| | Fifth Removal (min) | 0.16 | 0.2 | TBA | 0.98 | 1.7 | 2.56 | 2.78 | 6.21 |
| Tightening Torque (Nm) | 4.58 | 10.53 | 15.90 | 39.70 | 120.00 | 160.00 | 200.00 | 240.00 | |

All data is correct to the best of our knowledge, however TR cannot be held responsible for any errors or omissions. For full technical data visit www.trfastenings.com

Contact us:
Info@trfastenings.com
sales@trfastenings.com