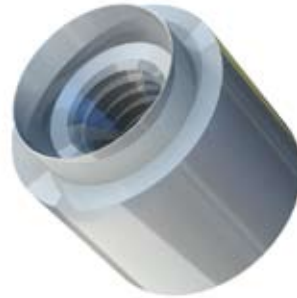
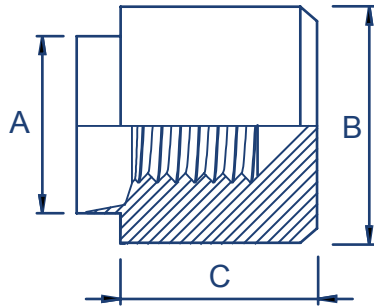
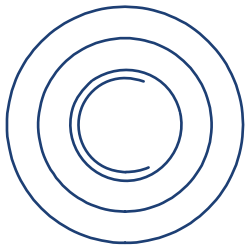


TR Hank® Rivet Bushes

Tank Bush (TA)



Steel/Zinc & Clear (TC1) | Steel/Self Finish (SF) | Stainless Steel/Self Finish (SF)



Metric Dimensions

Thread form		M3	M4	M5	M6	M8	M10	M12
Diameter of spigot +0.00 -0.13mm	A	5.54	6.73	7.92	9.52	12.70	15.87	19.05
Diameter across body ±0.15mm	B	7.92	9.52	11.10	12.70	15.87	19.05	25.40
Depth of body ±0.13mm	C	8.61	8.97	9.32	10.57	11.89	16.50	19.05
Recommended hole size +0.05 -0.00mm		5.54	6.73	7.92	9.52	12.70	15.87	19.05

Imperial/Unified Dimensions

Thread form	BSW/F	1/8"	5/32	3/16"	1/4"	5/16"	3/8"	1/2"
	BA	6	4	2	0	-	-	-
	UNC	4	6 + 8	10	1/4"	5/16"	3/8"	1/2"
	UNF	4	6 + 8	10	1/4"	5/16"	3/8"	1/2"
Diameter of spigot +0.00 -0.05"	A	.218	.265	.312	.375	.500	.625	.750
Diameter across body +0.010"	B	.312	.375	.437	.500	.625	.750	1.000
Depth of body ±0.005"	C	.339	.353	.367	.416	.468	.650	.750
Recommended hole size +0.002 -0.000"		.218	.265	.312	.375	.500	.625	.750

All Imperial/Unified sizes are non-preferred - please enquire for availability

Other materials and finishes are available upon request

All data is correct to the best of our knowledge, however TR cannot be held responsible for any errors or omissions.