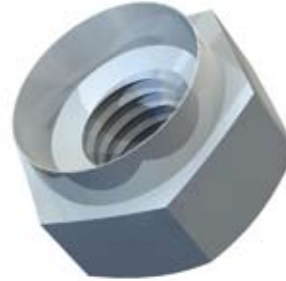
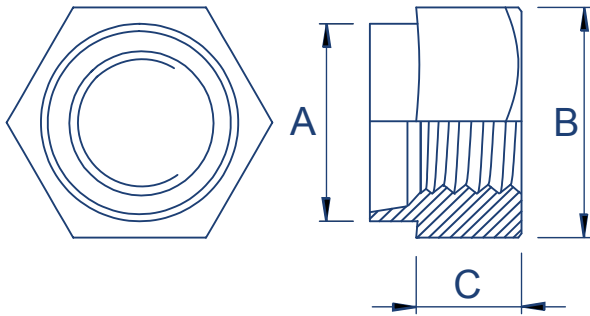


# TR Hank® Rivet Bushes Hexagonal (HX)



Steel/Zinc & Clear (TC1) | Steel/Self Finish (SF) | Stainless Steel/Self Finish (SF)



## Metric Dimensions

Thread form		M2.5	M3	M3.5	M4	M5	M6	M8	M10	M12
Diameter of spigot +0.00 -0.13mm	A	5.54	5.54	6.73	6.73	7.92	9.52	12.70	15.87	19.05
Width across flats ±0.15mm	B	7.92	7.92	7.92	7.92	9.52	11.10	14.27	19.05	22.22
Depth of body ±0.13mm	C	3.17	3.17	3.17	3.17	3.81	5.08	6.35	7.62	10.16
Recommended hole size +0.05 -0.00mm		5.54	5.54	6.73	6.73	7.92	9.52	12.70	15.87	19.05

## Imperial/Unified Dimensions

Thread form	BSW/F	-	1/8"	-	5/32"	3/16"	1/4"	5/16"	3/8"	1/2"
	BA	8	6	4	3	2	0	-	-	-
	UNC	2	4	6	8	10	1/4"	5/16"	3/8"	1/2"
	UNF	2	4	6	8	10	1/4"	5/16"	3/8"	1/2"
Diameter of spigot +0.00 -0.05"	A	.218	.218	.265	.265	.312	.375	.500	.625	.750
Width across flats +0.010"	B	.312	.312	.312	.312	.375	.437	.562	.750	.875
Depth of body ±0.005"	C	.125	.125	.125	.125	.150	.200	.250	.300	.400
Recommended hole size +0.002 -0.000"		.218	.218	.265	.265	.312	.375	.500	.625	.750

All Imperial/Unified sizes are non-preferred - please enquire for availability

Other materials and finishes are available upon request

All data is correct to the best of our knowledge, however TR cannot be held responsible for any errors or omissions.